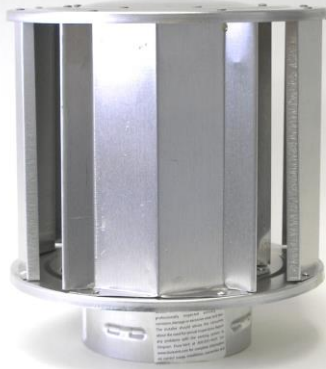


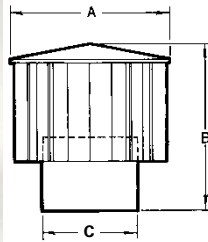
ACCESSORIES

— FOR SUNSTAR TUBE HEATERS —



■ VENT CAP --- Sidewall or Roof

Unique design prevents back drafts and assists in drawing off and exhausting the products of combustion regardless of wind direction • Heavy-gauge aluminum construction • Riveted at all major stress points for durability and service • Fits type B flue pipe. • Can be used for sidewall venting as well as thru the roof venting



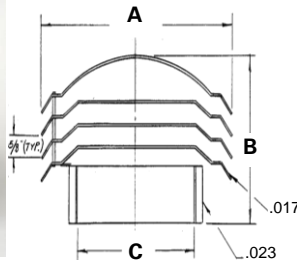
ORDERING INFORMATION

PART NO.	FITS PIPE	DIMENSIONS			SHIPPING WEIGHT (ea.)
		A	B	C	
30297040	4"	8-1/2"	8-1/4"	4"	1-1/2 lbs.
30297060	6"	10-1/2"	9-1/4"	6"	4 lbs.
30297080	8"	12-1/2"	12-3/4"	8"	6 lbs.



■ COMBUSTION AIR TERMINATION CAP

Heavy gauge aluminum construction • Eliminates downward draft • Fits Type B or Single Wall flue pipe • For Fresh Air (Combustion Air) duct termination.



ORDERING INFORMATION

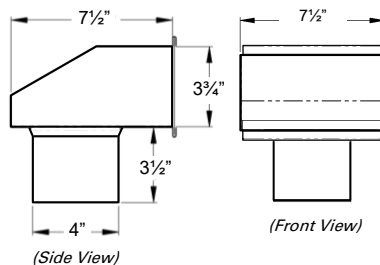
PART NO.	DIMENSIONS			SHIPPING WEIGHT (ea.)
	A	B	C	
41000020	6-3/4"	4-1/4"	4"	1-1/2 lbs.
41000000	9-1/2"	5"	6"	3 lbs.
41000010	12"	7"	8"	5 lbs.

4" for SIR & SPS/SPU & SIS/SIU



■ EXHAUST HOOD

Used for indirect vented applications • Directs the heat away from the draft inducer • Includes bird screen • Heavy gauge aluminized steel construction.



ORDERING INFORMATION

MODEL NO.	PART NO.	SHIPPING WEIGHT (ea.)
SIS/SIU, SIR SERIES	42924000	5 lbs.



■ LINE PRESSURE REGULATORS – Up to 2 PSIG

Positive 100% bubble tight lockup • Equipped with Vent Limiter, no vent line required
 • In the event of diaphragm rupture, gas escapement is limited to a non-hazardous level • Must be installed on a horizontal plane. Suitable for use with Natural Gas and LPG (Propane).

ORDERING INFORMATION

USE	MODEL	PART NO.	PIPE CONNECTIONS	MAXIMUM INLET PRESSURE	OUTLET PRESSURE	SHIPPING WEIGHT (each)
FOR HEATERS UP TO 140,000 BTU/HR	PF400S-VL-F	03307260	1/2" x 1/2"	2 PSIG	12" W.C.	2 lbs.
FOR HEATERS 150,000 TO 220,000 BTU/HR	31051-1 BS VL	03307310	1/2" x 1/2"	2 PSIG	8" W.C.	2 lbs.



■ LINE PRESSURE REGULATORS – Above 2 PSIG

Heavy-duty construction • High Capacity Internal Relief • Inlet and Outlet Pressure Taps for easy system checks • Must be vented to the outside.

ORDERING INFORMATION

USE	MODEL	PART NO.	PIPE CONNECTIONS	MAXIMUM INLET PRESSURE	OUTLET PRESSURE	SHIPPING WEIGHT (each)
FOR HEATERS UP TO 200,000BTU/HR	PF400D-VL-F	03307280	1/2" x 1/2"	10 PSIG	11" W.C.	2 lbs.
875,000BTU/HR MAX CAPACITY FOR LP	R622-BCF	03483070	1/2" x 1/2"	10 PSIG	11" W.C.	2 lbs.



■ FLEXIBLE CONNECTOR

CSA Listed stainless steel gas connector

ORDERING INFORMATION

USE	PART NO.	LENGTH	I.D.	SHIPPING WEIGHT (each)
For heaters up to 200,000 BTU/HR	30302360	36"	1/2"	1 lb.



■ ECONOMY Line Voltage Thermostat

Part #30348020

SPECIFICATIONS

- Temperature range 50°F to 90°F with ±4°F differential
- 22 amp full load
- Capable of controlling up to 7 Space-Ray infrared tube heaters
- UL Listed/CSA Certified

FEATURES

Economically priced • Durable, bi-metallic heat sensing element • Simple connections with easy-to-reach wiring terminals • Easy to mount, fits flat on wall with one-inch recess in wiring box.



HEAVY DUTY Line Voltage Thermostat

Part #03209000

SPECIFICATIONS

- Temperature range 35°F to 95°F with $\pm 2^\circ\text{F}$ differential
- 16 amp full load
- Capable of controlling up to 6 Space-Ray infrared tube heaters
- UL Listed/CSA Certified

FEATURES

Sealed, dust protected SPDT switch • Sensing element treated against corrosion and firmly attached to top of thermostat, providing uniform control at ambient temperatures • Dependable single-pole, double-throw snap acting contacts in steel, dust-tight, NEMA 1 enclosure • Close differential for critical requirements • Adjustable cutout stop.



HIGH HUMIDITY ENVIRONMENT Line Voltage Thermostat

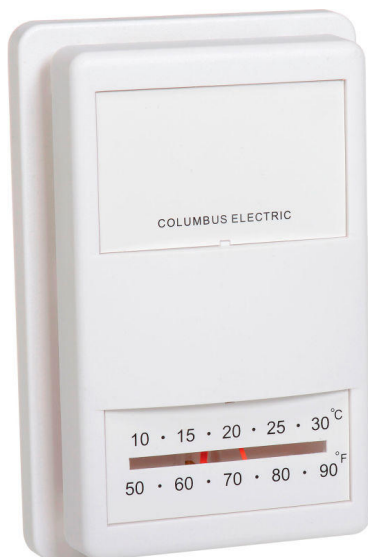
Part #30525000

SPECIFICATIONS

- Temperature range 40°F to 104°F with $\pm 2.5^\circ\text{F}$ differential
- 16 amp full load
- Capable of controlling up to 6 Space-Ray infrared tube heaters
- UL Listed/CSA Certified

FEATURES

Recommended for car washes, agricultural buildings, water treatment plants - any high-humidity, corrosive atmosphere • Quality constructed thermostat designed for use in harsh environments • Watertight ABS plastic meets NEMA 4x and NEC Article 547-4 requirements • Responsive, durable, 316 stainless steel, side-mounted sensing coil • Adjustable dial allows thermostat to be recalibrated • Single SPDT switch.



24 VOLT THERMOSTAT

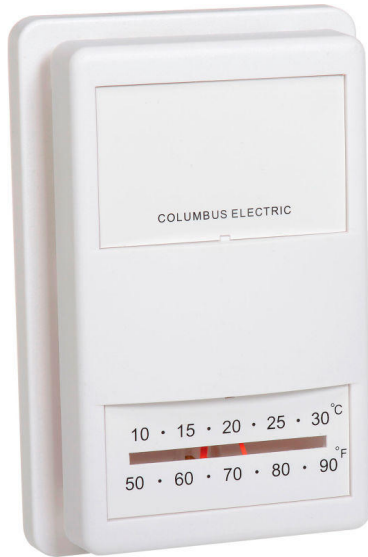
Part #30562000

SPECIFICATIONS

- Temperature Range 50°F to 90°F with $\pm 4^\circ\text{F}$ differential
- Adjustable Heat Anticipator 24 volts 0.1 to 1.0 Amps
- Individual Heater Operation – Requires Relay Kit
- UL Listed/CSA Certified

FEATURES

Hermetically sealed Reed Switch operated by a magnet attached to coiled bimetal • Snap-action operation makes precise leveling of the thermostat unnecessary • Universal mounting ...vertical and horizontal faceplates included • Use with 24-Volt Thermostat Relay Kit (Part #43274020 for **SIR** Series) or (Part #43274300 for **SIS** and **SIU** Series) to control one SunStar infrared tube heater.



■ MILLIVOLT THERMOSTAT

Part #42489010

SPECIFICATIONS

- Temperature Range 50°F to 90°F with $\pm 4^\circ\text{F}$ differential
- Adjustable Heat Anticipator 24 volts 0.1 to 1.0 Amps
- Individual Heater Operation for **SGM** Series only.
- UL Listed/CSA Certified

FEATURES

Hermetically sealed Reed Switch operated by a magnet attached to coiled bimetal • Snap-action operation makes precise leveling of the thermostat unnecessary • Universal mounting faceplates included • To be used with Starglo Millivolt (**SGM** Series) Ceramic Heaters and a 20' thermostat wire.

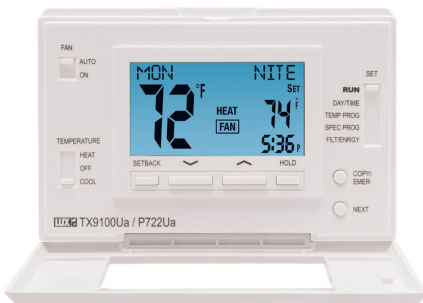


■ NIGHT SETBACK THERMOSTAT

Part #43240500

SPECIFICATIONS

- Digital Programmable **Line Voltage** thermostat for Single Stage Heaters
- Self-contained Locked Cabinet
- 4 different program periods per day
- 5/2 day programming
- Capable of controlling up to 6 SunStar tube heaters
- Temperature Range 45°F and 90°F with $\pm 1^\circ\text{F}$ differential
- Battery Backup to assure memory retention during power interruptions
- Temporary temperature override



■ TWO STAGE DIGITAL SETBACK THERMOSTAT

Part #30644100

SPECIFICATIONS

- For modulating two stage heaters- **N7** or **L7** Control
- 24V Digital Night Setback Thermostat with Large hybrid dot matrix display
- Temperature Range 40°F and 90°F with $\pm 1^\circ\text{F}$ differential
- 7 day programming & 4 periods per day with Night Setback function
- ENERGY STAR Compliant • Temporary override, Hold & Vacation hold
- Optional smart recovery • Advanced copy function for fast easy programming
- Temperature offset (user calibration) • Programmable length minimum run time
- Multi-stage adjustable temperature differential/cycle rate $\pm 2.25^\circ\text{F}$ differential
- Dual power capable (system/battery) • Daylight savings button
- Multimode keyboard lockout with user programmable 3 Digit Code

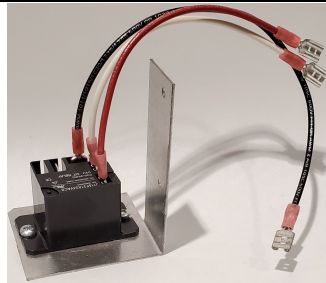


■ TWO STAGE ECONOMY THERMOSTAT

Part #30348100

SPECIFICATIONS

- For modulating two stage heaters- **N7 or L7** Control
- Temperature Range 50°F and 90°F with ± 4°F differential
- 24V Mechanical Thermostat
- Bi-Metallic heat sensing element
- Easy to mount, fits flat with one-inch recess in wiring box
- Non adjustable differential
- Economically priced. To be used when a mechanical thermostat is specified



■ 24V THERMOSTAT RELAY KIT

To control one SunStar infrared tube heater with a 24V Thermostat.

ORDERING INFORMATION

43274020	for SIR Series
43274030	For SIS/SIU Series

SPS/SPU Series can be externally connected with a single 24V Thermostat and does not require a 24V thermostat Relay Kit.



■ TWO STAGE THERMOSTAT RELAY KIT

Part# 44195000

Required when controlling multiple Two Stage heaters (N7 / L7 Controls) with a single 24V Two Stage Thermostat. One relay kit per heater required. Supplied with ABS Enclosure and mounted externally.



■ THERMOSTAT ENCLOSURE

Part# 43244010

- Heavy Duty metal thermostat enclosure - tamperproof
- Hinged access door with locking cover
- Can be used with any thermostat
- Prevents direct radiant energy affecting the thermostat sensor.
- Enclosure dimensions 9 ½" X 5 ½" 4"



■ Chain Kits

ORDERING INFORMATION

Part No.	Part Description
41690250	Chain Kit – 25 ft. chain with 12 S-hooks
41690350	Chain Kit – 35 ft. chain with 12 S-hooks (50' straight heaters)
41690120	Chain Kit – for SIR Series Tube Heaters or SG and SGM Series Ceramic Heaters, 12 ft. chain with 8 S-hooks



■ Manual (On/Off) Toggle Switch

Part #40147000

- Single Pole Single Throw
- 20A/125V – 12A/250V
- Single Galvanized Gang Box (2"X4"X2" -1/8)
- Galvanized Face Plate w/ Screws



■ 60 Minute Auto Shut-Off Timer

Part #30574000

- Timer – Dial Face Type – Mechanical
- Up to 60 Minute Capable
- 120V SPST (Single Pole Single Throw)
- Breaks Circuit at End of Timing Cycle
- Spring Loaded
- Replaces Any Single Gang Switch



■ Three Position Switch Kit

Part# 40147010

- High /Low /Off Control of two stage heatersf
- ABS Plastic Enclosure
- NEMA 4X Rated
- Enclosure dimensions 4.3" X 3.1" X 2.6" Deep



■ Single Switch Controller W/ 60 Minute Timer Part# 44610550

- Illuminated Rotary Style Switch - 3 Position
- Space-Ray logo face plate
- Recess wall mounted for flush mount
- Manual control of two stage heaters
- 60 minute auto shut off timer

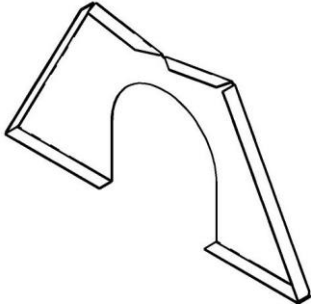


■ MANUAL CUTOFF VALVE

ORDERING INFORMATION

30285000

CSA listed ball valve, 1/2" NPT

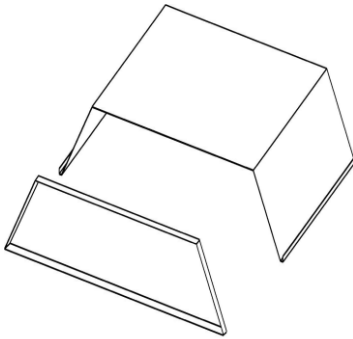


■ END REFLECTOR KIT

Part #43341010

Designed to cover both ends of the tubes to increase radiant output

- For **SIS** Series (includes 2 end reflectors and 8 speed clips)
- To be installed at both ends
- Order 2 kits for **SIU** Series Heaters

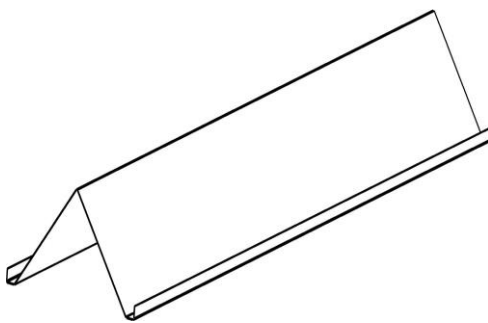


■ U-BEND REFLECTOR KIT

Part #43488000

Designed to cover the end of the U-tube and reduce the clearance to combustibles above the heater from 18" to 6"

- For **SIU** Series (includes 11 speed clips)



■ DEFLECTOR KIT

Designed to reduce the clearance to combustibles below the heater

- For **SIS** Series, 10' long (with predrilled holes)
- For **SIR** Series, 8' long (with predrilled holes)

Part No.	Part Description
43482010	Deflector Kit – 10' long
43504010	Deflector Kit – 8' long

SUNSTAR HEATING PRODUCTS, INC.

P.O. Box 36271 (28236) • Charlotte, North Carolina
 Phone (704) 372-3486 • Fax (704) 332-5843 • Toll Free (888) 778-6782
www.sunstarheaters.com • info@sunstarheaters.com