

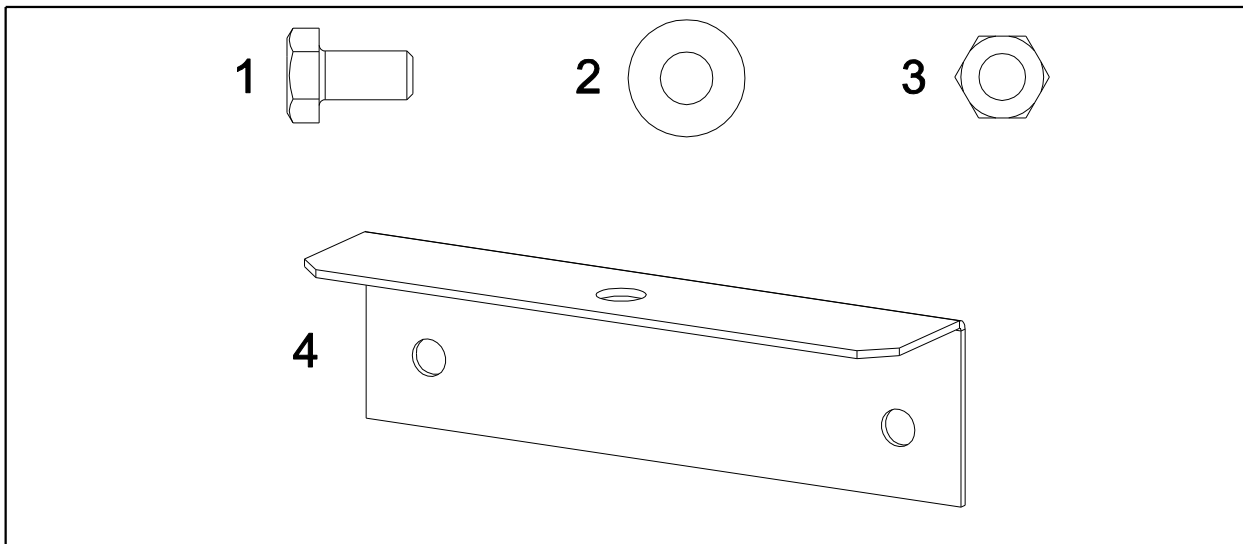
Rod Suspension – Patio Heater

DESCRIPTION:

This is an accessory (**Kit no. 44560354**) designed to mount a single patio heater to the ceiling using 3/8" threaded rod (not supplied). Follow all installation and operation instructions supplied with each heater for Warnings, Clearances to Combustibles, Electrical/Gas Connections and all other pertinent information not shown in these instructions.

Kit Components

| Item No. | Part No. | Description | Qty. |
|----------|----------|----------------------------------|------|
| 1 | 02140040 | Screw, Hex Head 1/4-20 x 1/2" | 4 |
| 2 | 02129100 | Washer, Flat 1/4" | 8 |
| 3 | 02167019 | Locknut, Hex 1/4-20 | 4 |
| 4 | 44560909 | Rod Suspension Bracket (painted) | 2 |
| 5 | 43878770 | Instruction Sheet (not shown) | 1 |

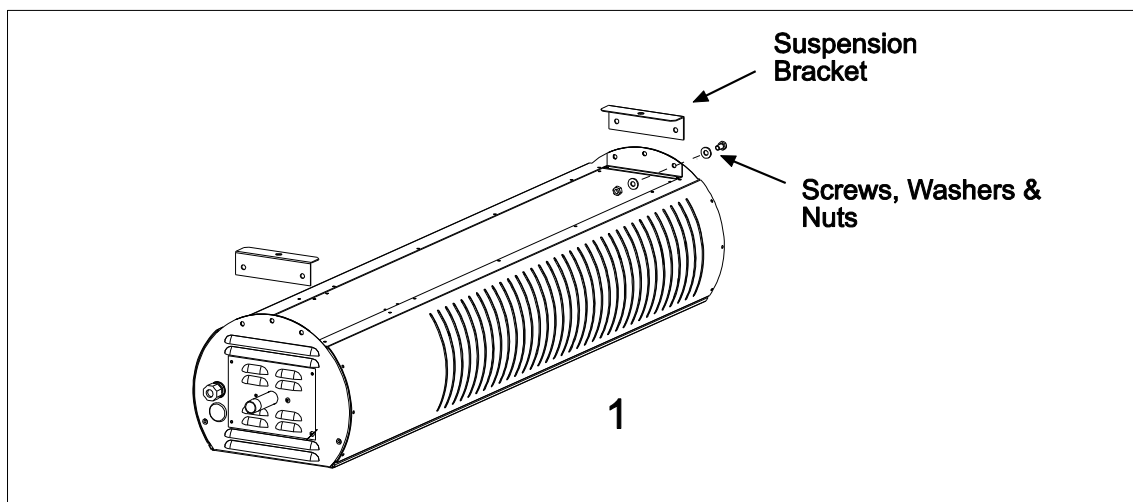


Rod Suspension – Patio Heater

ASSEMBLY INSTRUCTIONS:

Attaching the Rod Suspension Brackets

1. Position the rod suspension brackets onto the heater and attach using (4) 1/4-20 x 1/2" screws, flat washers and locknuts supplied in the kit. Torque to 76 in • lbs (8.5 Nm). Care must be taken to plan and orient the heater gas supply during installation.



Attaching the 3/8" Diameter Rods

1. Attach the 3/8" rods (not supplied) into the suspension brackets and secure with flat washers and locknuts (not supplied). Torque to 23 ft • lbs (31 Nm).
2. Turnbuckles (not supplied) can be used to allow leveling of the heater.

