

# Column Mounting – Patio Heater

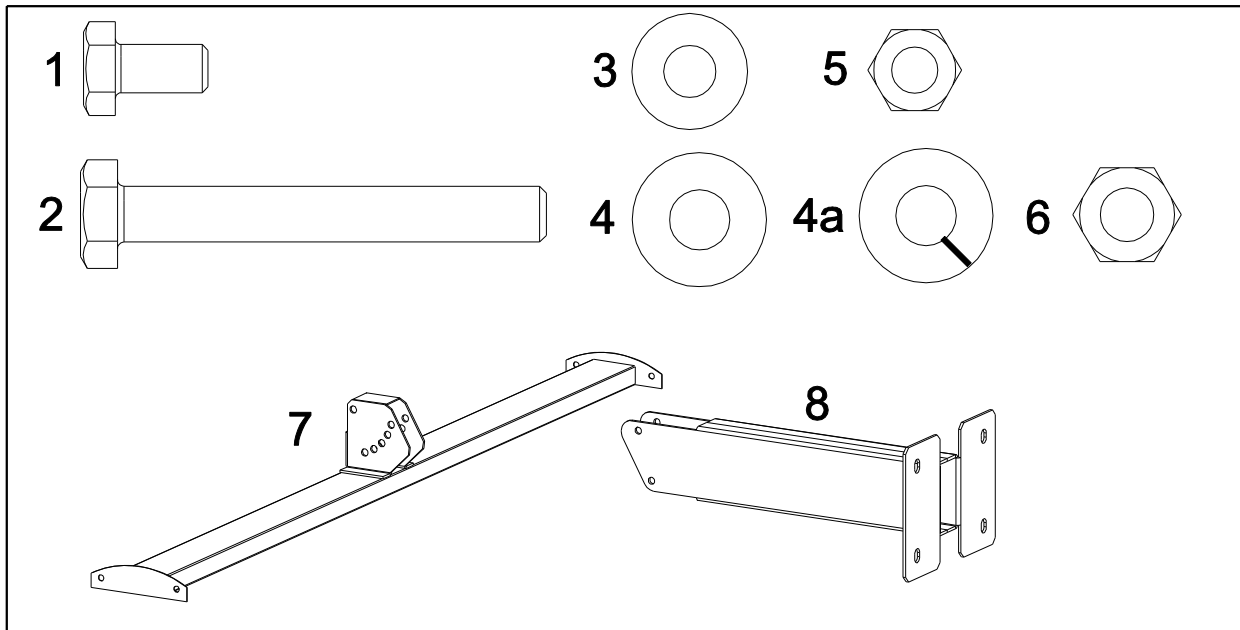
## DESCRIPTION:

This is an accessory (**Kit no. 44560590**) designed to mount a single patio heater to a concrete column. Follow all installation and operation instructions supplied with each heater for Warnings, Clearances to Combustibles, Electrical/Gas Connections and all other pertinent information not shown in these instructions.

Suitable for columns 8 inches (200mm) and wider with a flat mounting surface. The heater must only be attached to columns made out of noncombustible materials.

### Kit Components

Item No.	Part No.	Description	Qty.
1	02140040	Screw, Hex Head 1/4-20 x 1/2"	4
2	02106010	Screw, Hex Head 5/16-18 x 2"	2
3	02129100	Washer, Flat 1/4"	8
4	02129110	Washer, Flat 5/16"	2
4a	02130110	Washer, Spring Lock 5/16"	2
5	02167019	Locknut, Hex 1/4-20	4
6	02127110	Nut, Hex 5/16-18	2
7	44560650	Hanger Rail Assembly (painted)	1
8	44560700	Hanger Arm Assembly (painted)	1
9	43878760	Instruction Sheet (not shown)	1

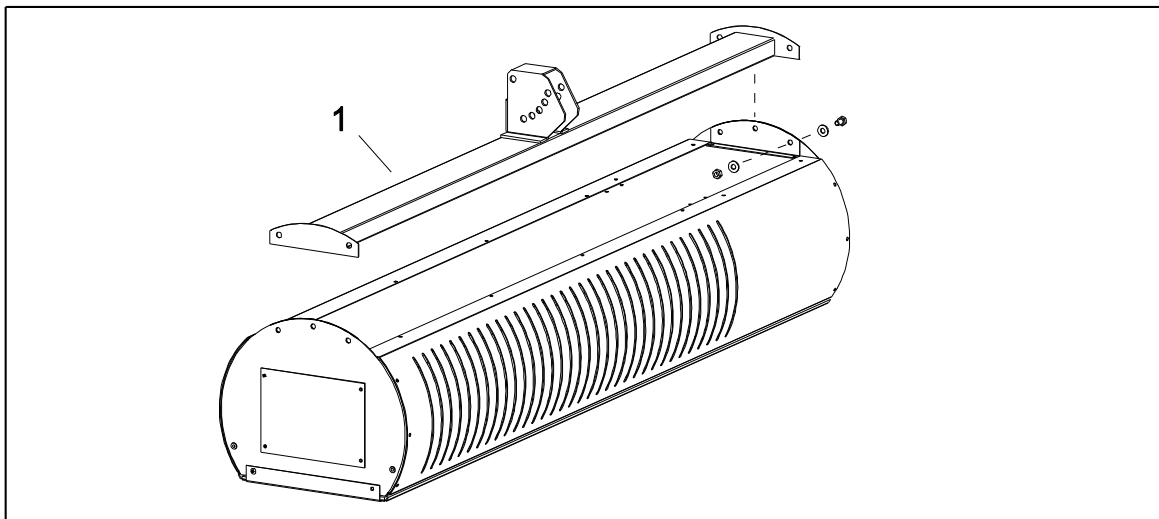


# Column Mounting – Patio Heater

## ASSEMBLY INSTRUCTIONS:

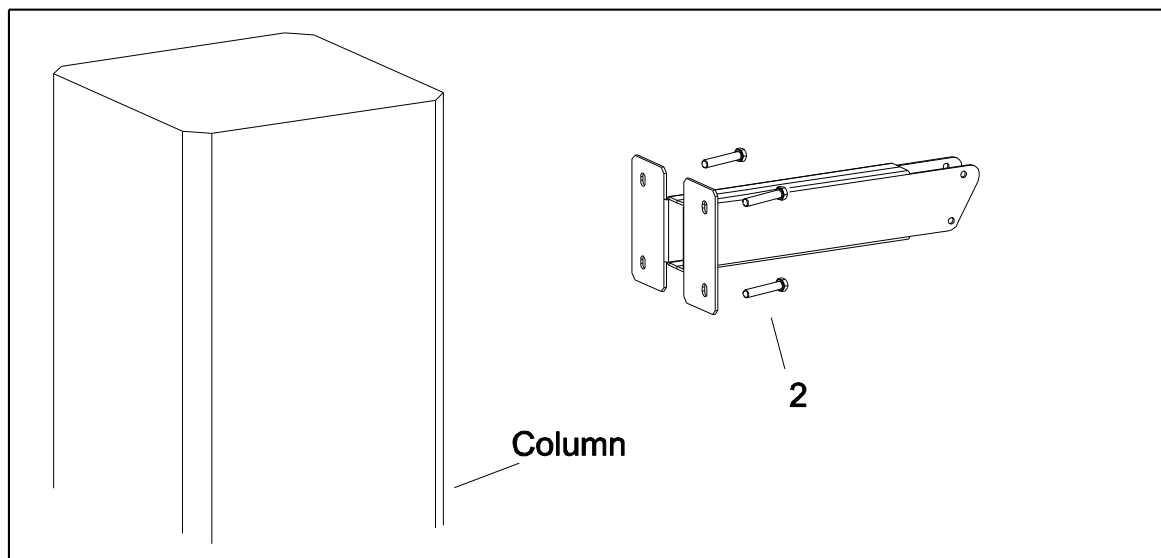
### Attaching the Hanger Rail Assembly

1. Position the hanger rail assembly onto the heater and attach using (4) 1/4-20 x 1/2" screws, flat washers and locknuts supplied in the kit. Torque to 76 in • lbs (8.5 Nm). Care must be taken to plan and orient the heater gas supply during installation. The hanging arm attaches to the hanger rail assembly where the multiple holes are. The heater pivots away from the hanger rail assembly. See also 4.



### Attaching the Hanger Arm Assembly to the Concrete Column

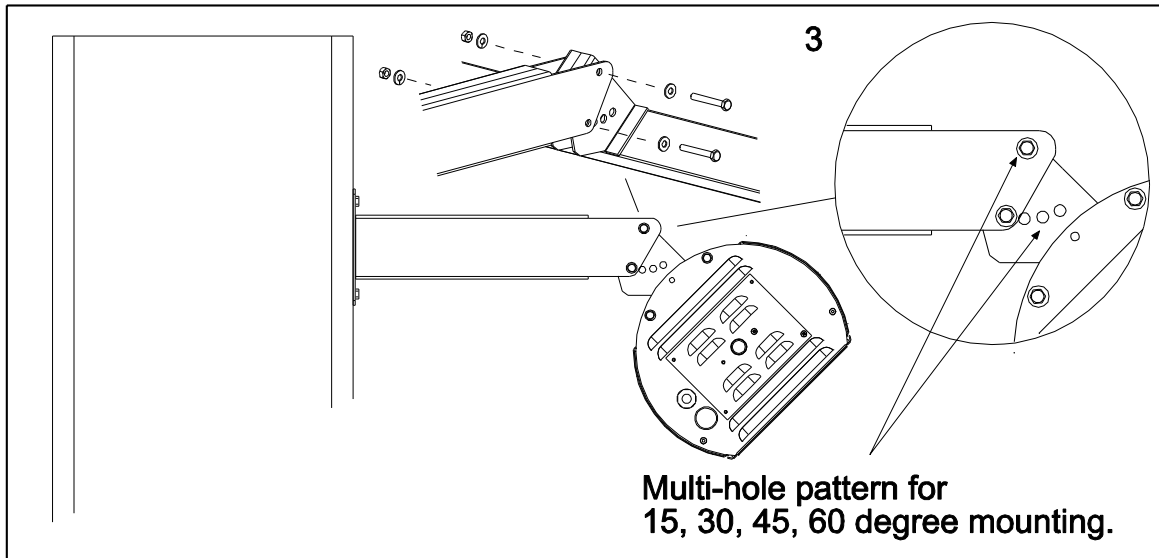
2. Attach the hanger arm assembly to the concrete column at desired height and location using (4) 3/8" lag bolts (not supplied).



# Column Mounting – Patio Heater

## Mounting the Heater

3. Attach the heater to the end of the hanger arm assembly using (2) 5/16-18 x 2" screws, flat washers, spring lock washers and nuts. Torque to 13 ft•lbs (17.5 Nm). The heater can be suspended at mounting angles of 15, 30, 45 and 60 degrees utilizing the multi-hole pattern in the center hanger clamp.



4. The heater is now ready for gas and electrical connections per installation and operation instructions provided with the heater.

