

**INSTALLER:** Leave this manual with the appliance.  
**CONSUMER:** Retain this manual for future reference.

## OPTIONAL MANUAL BLOWER ASSEMBLY No. SC30M

### INSTALLATION INSTRUCTIONS (for Heater Models SC30T-1, SC30M-1)

#### GENERAL INFORMATION

This series is design certified by the CSA Laboratories as an Unvented Heater, and must be installed according to these instructions.

**ANY ALTERATION TO THE ORIGINAL DESIGN, INSTALLED OTHER THAN AS SHOWN IN THESE INSTRUCTIONS, OR USED WITH A TYPE OF GAS NOT SHOWN ON THE RATING PLATE IS PROHIBITED AND VOIDS THE WARRANTY.**

The installation must conform to local codes. In the absence of local codes, the installation must conform to the National Fuel Gas Code, also known as NFPA 54 and ANSI Z223.1-latest edition.

This is a heating appliance. Any safety screen or guard removed for servicing the appliance must be replaced prior to operating the appliance.

<b>WARNING</b>	
	<p><b>ELECTRIC SHOCK HAZARD</b></p> <p>Disconnect electrical supply before servicing.</p> <p>Failure to follow these instructions may result in death, serious injury or property damage.</p>

<b>WARNING</b>	
	<p><b>FIRE HAZARD</b></p> <p>Turn off gas before servicing the heater.</p> <p>Failure to follow these instructions may result in death, serious injury or property damage.</p>

These instructions cover the installation of an accessory blower into a new heater prior to installation. If the Heater is already installed then the following instructions shall be referred to for the removal and re-installation of the heater.

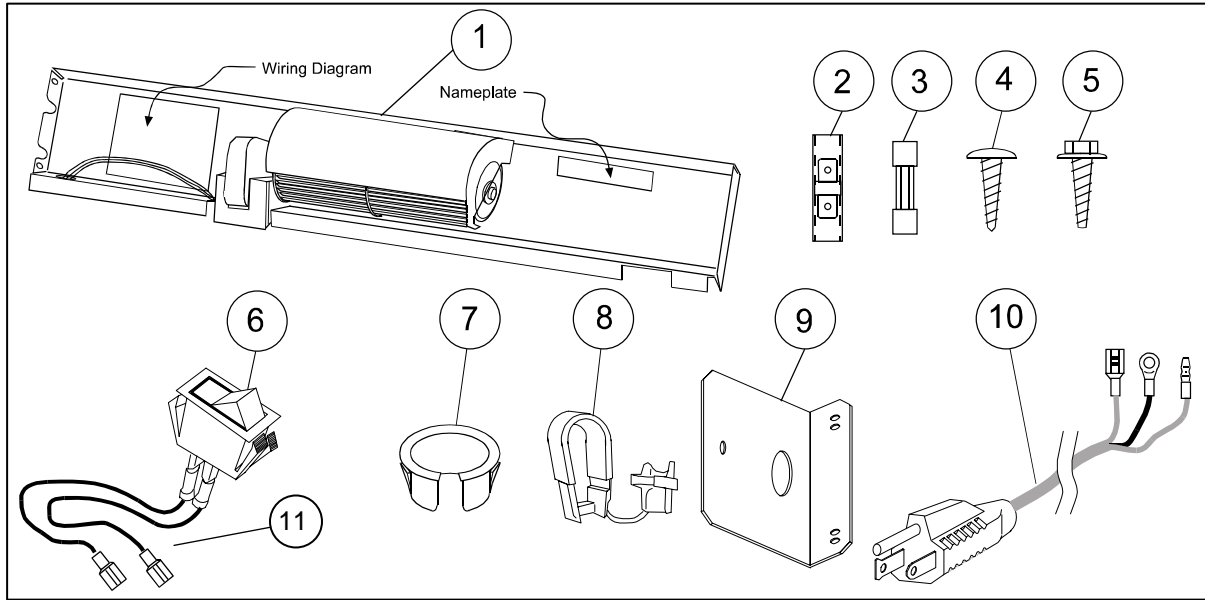
<i>Form Number</i>	<i>Heater Model</i>
<b>#43126220</b>	<b>SUNSTAR SC30T-1</b>
<b>#43126210</b>	<b>SUNSTAR SC30M-1</b>

Before continuing to remove the heater, seek a qualified service person to disconnect the gas.

**READ ALL THE INSTRUCTIONS THOROUGHLY BEFORE INSTALLING THE BLOWER.**

## INSTALLING OPTIONAL BLOWER

1. Check contents of the carton before proceeding with the installation.

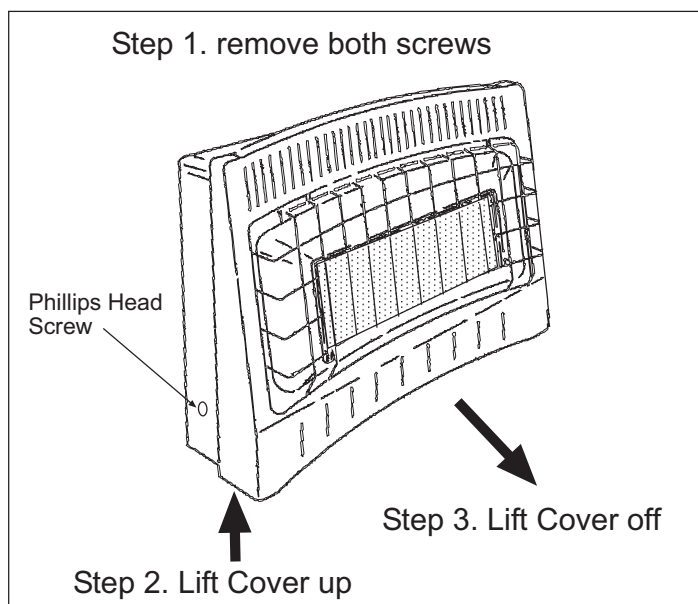


### KIT NO. 43741580 – for Heaters SC30T-1, SC30M-1

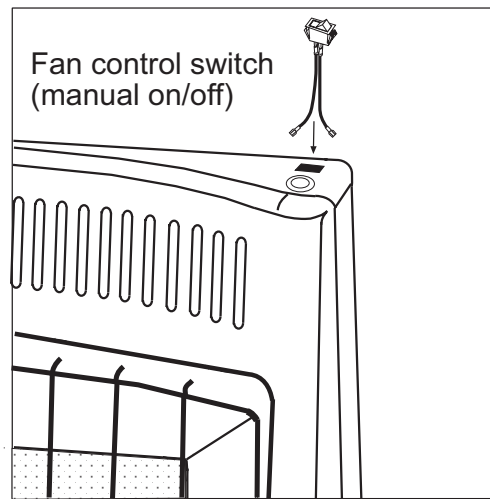
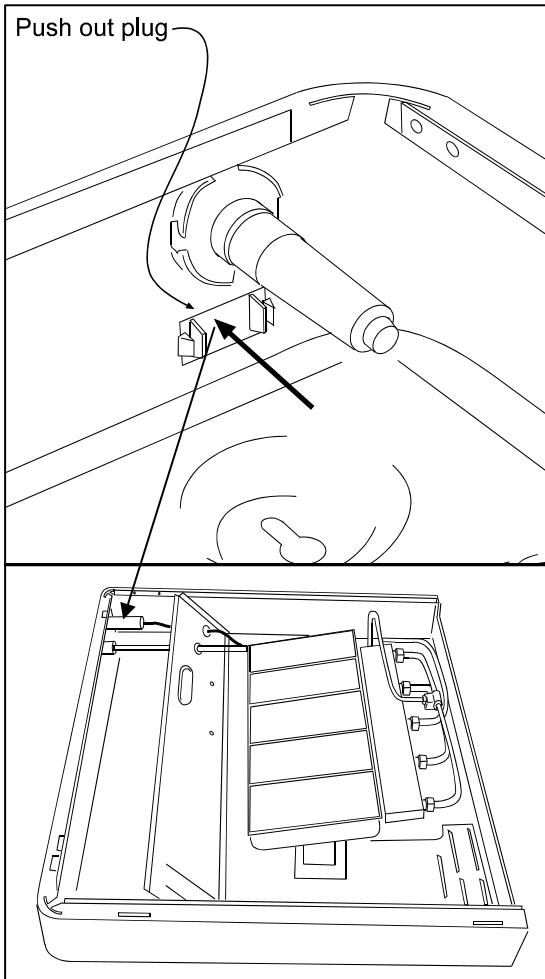
ITEM NO.	PART NO.	DESCRIPTION	QTY
1)	43555120	Blower/Motor Sub-assembly	1
2)	30516010	Slide Terminal Receptacle	2
3)	30517010	Snap Plug Receptacle	1
4)	02315010	Sheet Metal Screw, 3/8" long	9
5)	02261030	Grounding Screw, Green	1
6)	30381000	Fan Control Switch - Manual	1

ITEM NO.	PART NO.	DESCRIPTION	QTY
7)	30512020	Open/Closed Bushing	1
8)	30513010	Cord Retainer	1
9)	43556010	Mounting Bracket, L-shaped	1
10)	43563010	Cord Set Sub-assembly	1
11)	41161010	Wire, Violet 15"	2

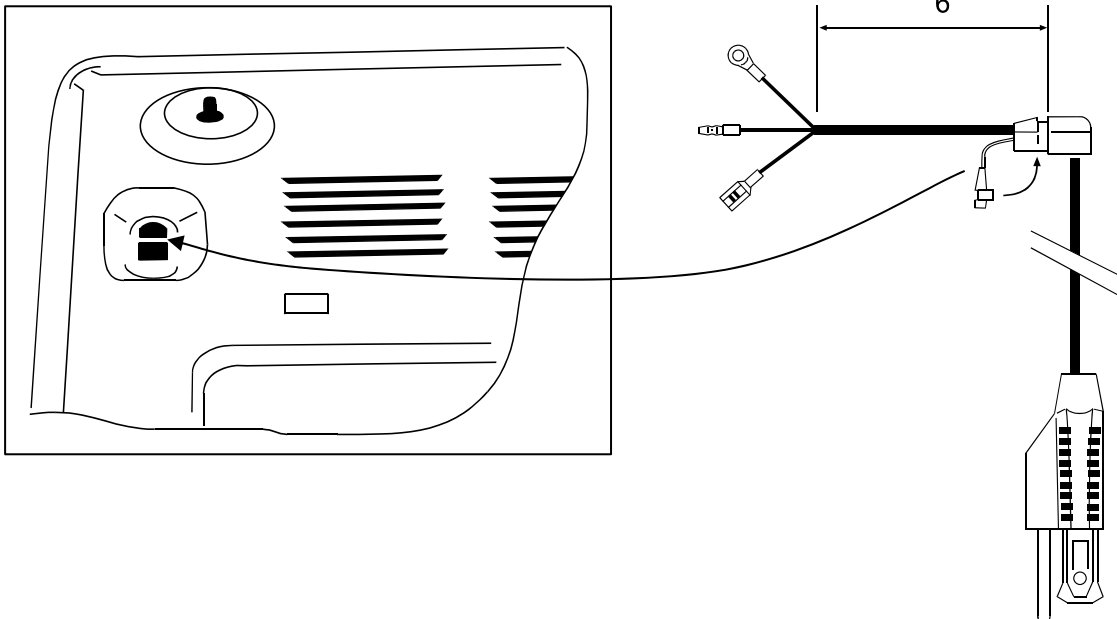
2. Lay the heater on a flat surface and remove the 2 screws from each side and lift cover off.



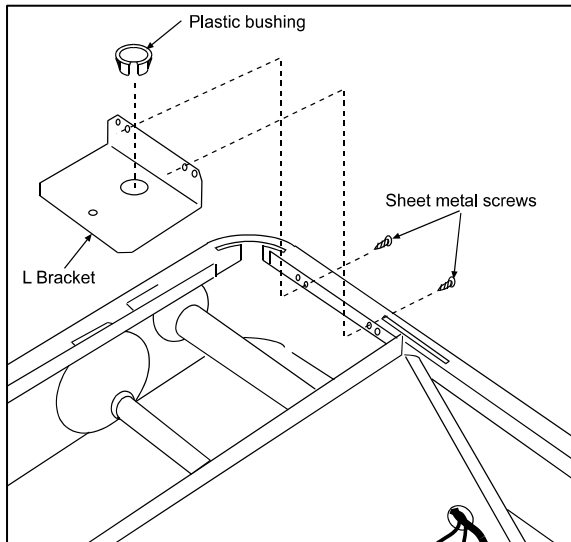
3. Push out plug and replace with the fan control switch.



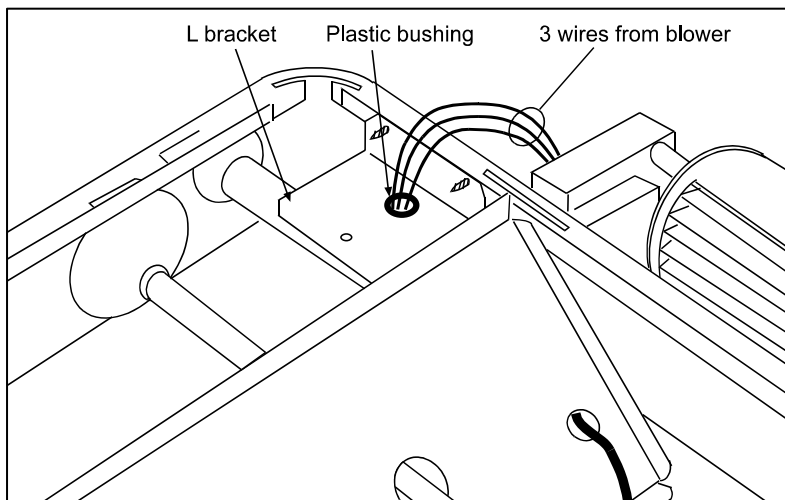
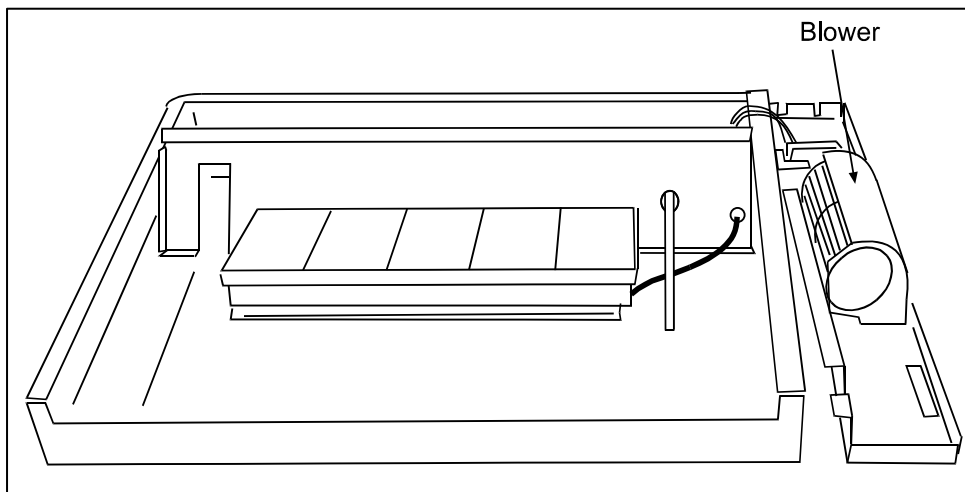
4. Turn the heater over, assemble the cord retainer and insert through the back of the heater.



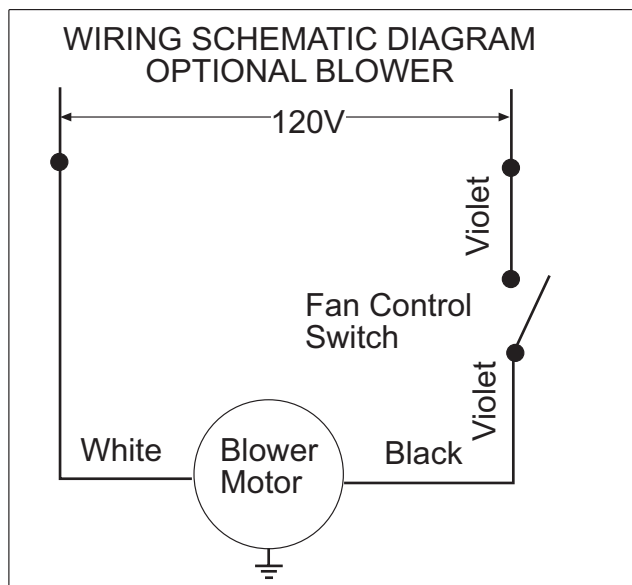
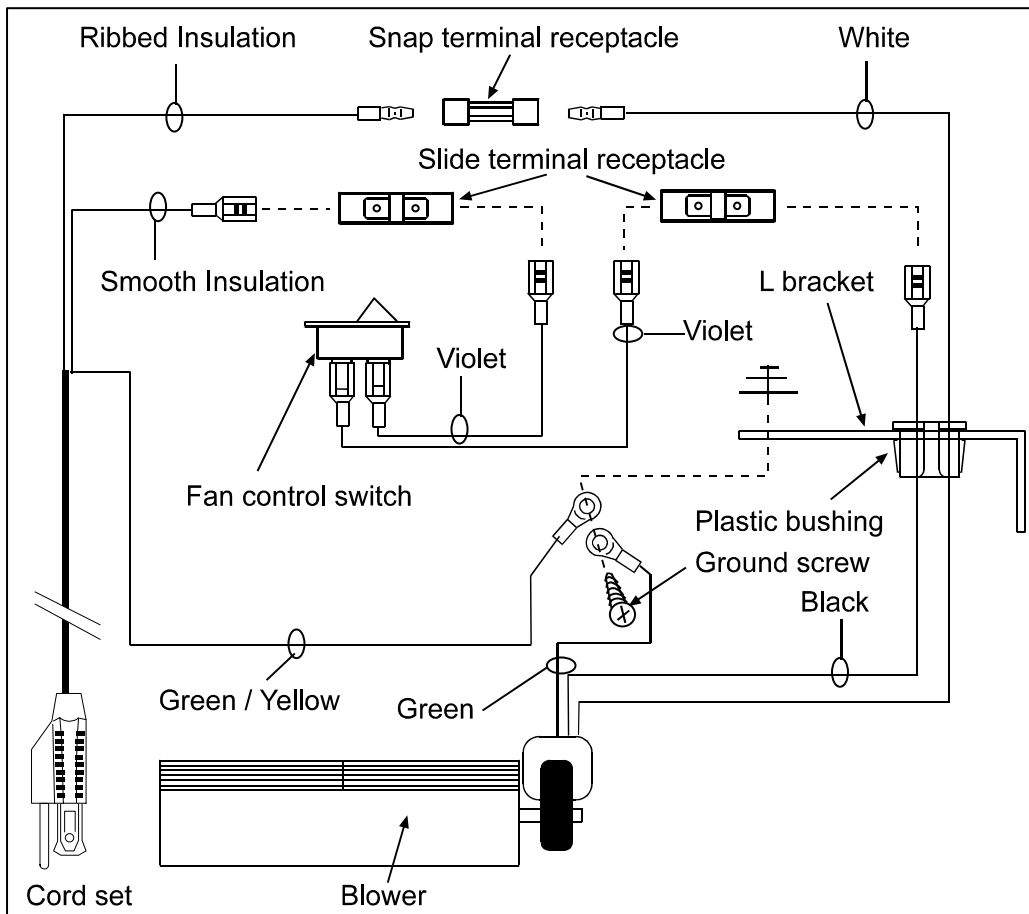
5. Turn the heater over again, insert the plastic bushing into the "L" Bracket and attach it to the heater.



6. Lay down the blower beside the heater and pass the 3 wires through the plastic bushing.



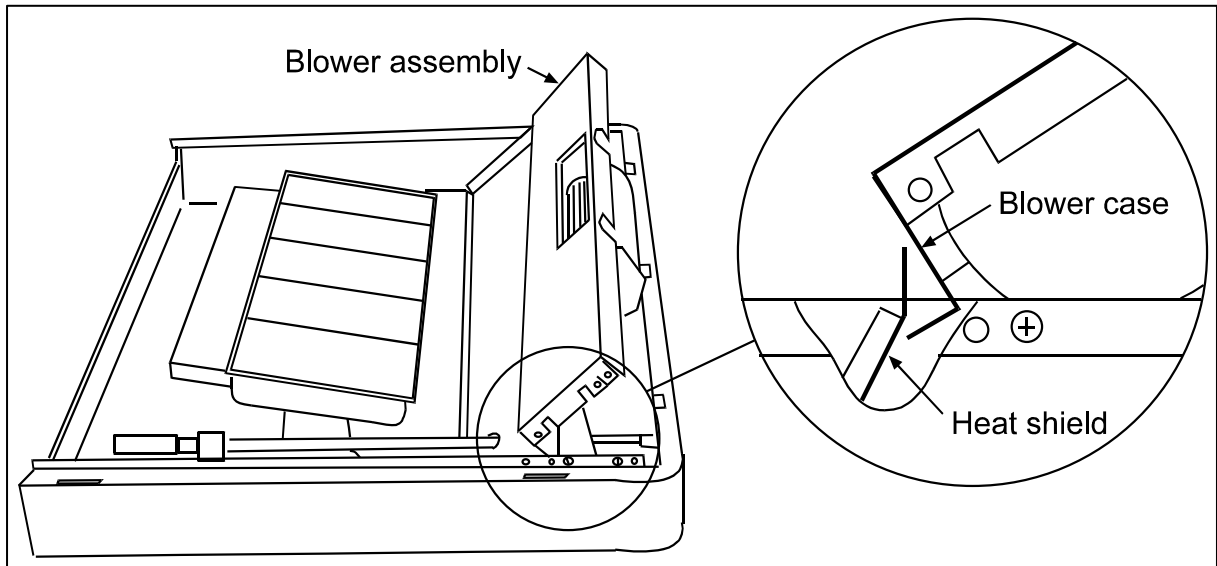
7. Make electrical connections shown in the diagram below



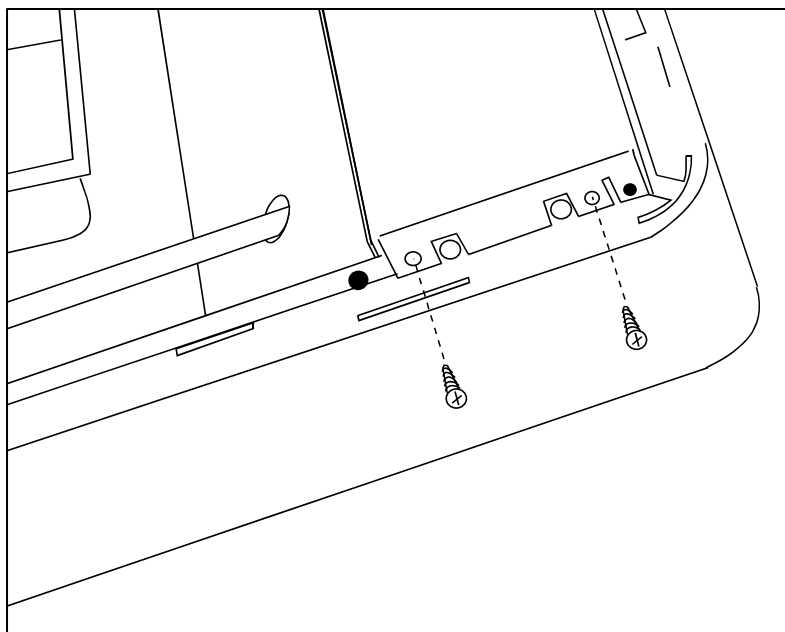
If any original wire, as supplied with this appliance, has to be replaced, it must be replaced with #18 gauge, 125°C, 2/64 insulation or its equivalent.

Caution: Label all wires prior to disconnection when servicing controls. Wiring errors can cause improper and dangerous operation. Verify proper operation after servicing.

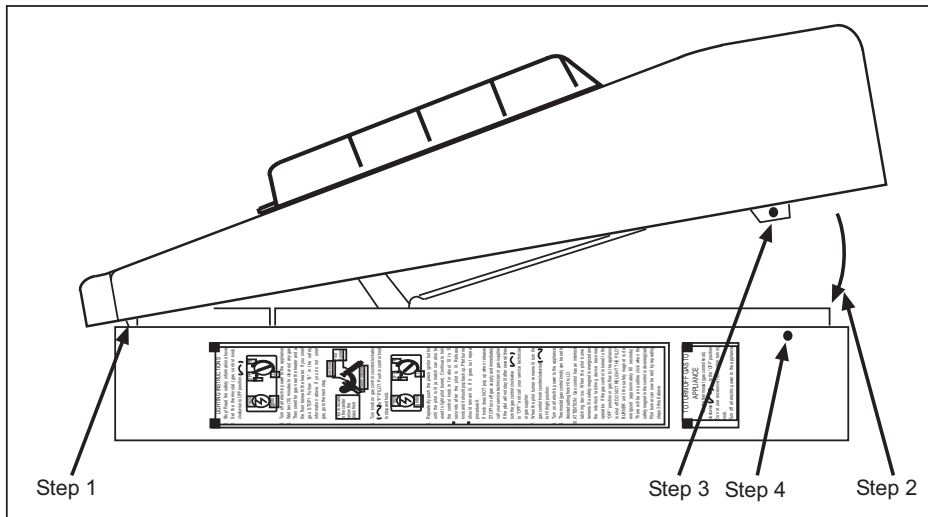
- Carefully insert the blower assembly under the lip of the heat shield and rotate into place.



- Lower the blower into the heater and secure both ends with sheet metal screws.



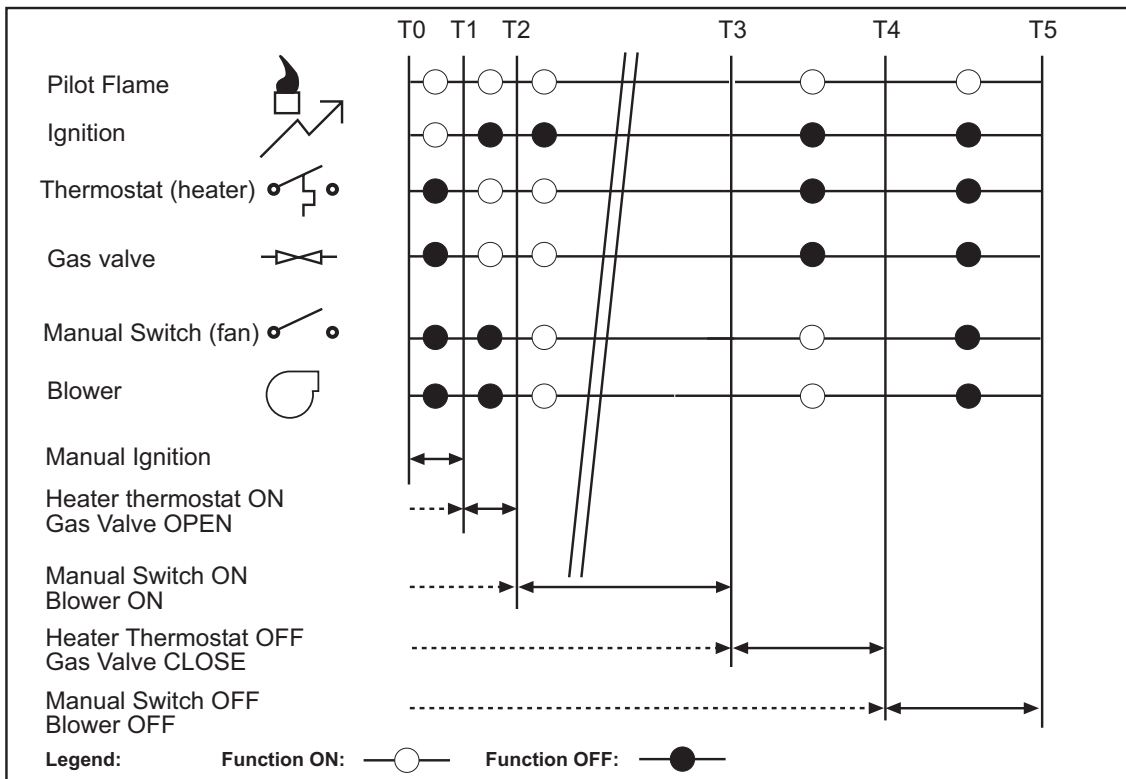
10. Replace the heater cover.



- STEP 1. Insert tabs along the top edge of the cover into the slots.
- STEP 2. Rotate the cover down.
- STEP 3. Insert the tabs on both sides of the heater into the lower slots.
- STEP 4. Attach the cover with the original screws.

**FAN CONTROL – Manual (on/off)**

To operate the fan, plug the power cord into a 120-Volt outlet and turn the switch to the “On” position. **See diagram of operating sequence below.**



**NING**

**CL  
EA**

The blower wheel will collect lint and could require cleaning once a year. If the air output decreases, or the noise level increases, it indicates a dirty wheel. Clean the blower wheel with a vacuum cleaner or apply high-pressure air to the blower wheel.

### **NOTE !**

**Unplugging of blower accessory will not stop the heater from cycling. To shut the heater off, turn the control knob to "OFF".**

### **WIRING**

#### **WARNING**

#### **Electrical Grounding Instructions**

This appliance is equipped with a three-prong (grounding) plug for your protection against shock hazard and should be plugged directly into a properly grounded three-prong receptacle.

The appliance, when installed, must be electrically grounded in accordance with local codes, or in the absence of local codes, with the National Electrical Code ANSI/NFPA #70-latest edition.

**DO NOT cut or remove the grounding prong from this plug.** For an ungrounded receptacle, an adapter (which has two prongs and a wire for grounding) can be purchased, plugged into the ungrounded receptacle and its wire connected to the receptacle mounting screws. With this wire completing the ground, the appliance cord can be plugged into the adapter and be electrically grounded.

#### **SUNSTAR HEATING PRODUCTS, INC.**

Post Office Box 36271 (28236) ■ 306 West Tremont Avenue (28203) ■ Charlotte, North Carolina  
Phone (704) 372-3486 ■ Fax (704) 332-5843 ■ Toll Free (888) 778-6782  
www.sunstarheaters.com ■ email: info@sunstarheaters.com