



Heavy Duty Infrared Heat... Where You Need It & When You Need It.

- SunStar's RCH Model Heater Is Ideal For Construction Sites, Unheated Work Areas And Supplemental Heat In Large Buildings.
- Heats People And Work Areas Directly...Before Heating The Air.
- No Electricity Is Required.

HEAVY DUTY INFRARED HEAT

SunStar's infrared construction heaters provide exceptional on-the-job versatility. These tough, reliable, job proven heaters are packed with features for both economy and rugged endurance. Built with heavy gauge steel they are designed to withstand continuous seasonal use even in severe industrial and construction type environments.

TYPICAL APPLICATIONS

- Construction Sites
- Unheated Work Areas
- Emergency Heat
- Workshops
- Partially Open Buildings
- Thawing And Freeze Protection
- Supplemental Heat For Large Spaces



The SunStar Model RCH infrared heater comes in either manual or energy saving thermostatically controlled models

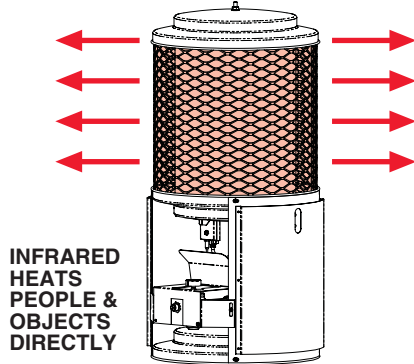
HEATS PEOPLE AND WORK AREAS DIRECTLY...BEFORE HEATING THE AIR.

How? It's radiant heat. When in operation, the cylindrical stainless steel emitter beams radiant heat around the entire circumference of the heater. People, floors, objects, etc. are warmed directly by the "sun-like" radiant heat. The air itself is not warmed directly. Surfaces absorb the heat and then re-radiate it back to the surrounding air to maintain a blanket of warmth within the work space.

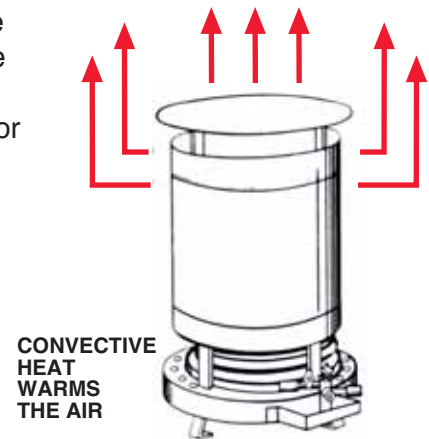
INFRARED VS CONVECTIVE TYPE HEATERS

SunStar Infrared Heaters

direct radiant heat in a 360° pattern. The infrared emitter heats people directly like the sun, and warms the floor area first, saving fuel.



Convective type heaters generate warm air that rises, leaving floor levels difficult to keep warm. By heating the air first, convective heaters work longer and use more fuel.



HEAVY DUTY FEATURES

- No Moving Parts
- No Electricity Required
- CSA Design Certified For Use In The U.S. & Canada
- Compact 14" Diameter Base
- Lightweight For Easy Transportation
- Cast Iron Burner Head With Stamped Steel Burner
- Optional 10 Ft. Hose And LP Tank Regulator With POL Fitting For All LP Gas Units
- Optional 15 Ft. Hose Assembly Available For Natural Gas Units
- 100% Gas Shutoff Safety Control
- Heaters Can Be Shipped By UPS
- Heats Up To 2,500 Sq. Ft.
- Heater May Be Suspended Above The Floor When Using The RCH100-9B Model Heater

CONSTRUCTION

Heavy gauge steel. High grade stainless emitter. Multi-port burner for even heat distribution. Welded for strength. Expanded steel guard to prevent accidental contact. Easy maintenance. High quality CSA and UL listed controls with standing pilot and flame failure safety.

AVAILABLE ACCESSORIES

- **180° Reflector** - Directs heat in a 180° pattern. Used where full radiant pattern is not required.

TECHNICAL SPECIFICATIONS

MODEL	CONTROL TYPE	GAS TYPE	INPUT BTU/HR	BURNER PRESSURE	SUPPLY PRESSURE		MINIMUM CLEARANCES TO COMBUSTIBLES	
					MIN	MAX	TOP	SIDE
RCH100-N6C	Manual	Natural	100,000	3.5" W.C.	5" W.C.	14" W.C.	54"	60"
RCH100-L6C		Propane	95,000	10.0" W.C.	11" W.C.	14" W.C.	54"	60"
RCH100-N9A	Thermostatic	Natural	100,000	3.5" W.C.	5" W.C.	14" W.C.	54"	60"
RCH100-L9A		Propane	95,000	10.0" W.C.	11" W.C.	14" W.C.	54"	60"

DIMENSIONS: Height = 32 1/4" Base: 14" round SHIPPING WEIGHT: 40 lbs.
 AREA COVERAGE: 1500-2500 sq. ft. depending on building heat loss.

WARNING: DO NOT operate the main burner at any setting with the gas control knob at less than full 'on' position or at low supply pressures. Sooting can occur. Keep heaters away from combustible materials. Adequate ventilation must always be provided. Personnel must not be stationed closer to the heater than listed clearances. Heaters used with LP Gas must be installed in accordance with NFPA58. Turn LP Gas heaters off at the cylinder when not in use. When in operation, keep heaters a safe distance from cylinders as indicated in the instructions. The propane cylinder does not come with the heater.

FOR YOUR SAFETY: OPERATE SUNSTAR INFRARED HEATERS WITH PROPER CARE AND OBSERVE ALL SAFETY PRECAUTIONS. Carefully follow the printed installation, operation, and cleaning instructions furnished with each heater. Follow the lighting and operating instructions on the nameplate of each heater and use in accordance with National, State, and Local Codes or the authority having jurisdiction.



DISTRIBUTED BY: _____

SunStar Heating Products, Inc.
 306 W. Tremont Avenue • PO Box 36271 • Charlotte, NC 28236
 Toll Free 1-888-778-6782 • (704) 372-3486 • FAX (704) 332-5843
 email: info@sunstarheaters.com www.sunstarheaters.com
 6/05 © Copyright 2005, SunStar Heating Products, Inc. 60510M